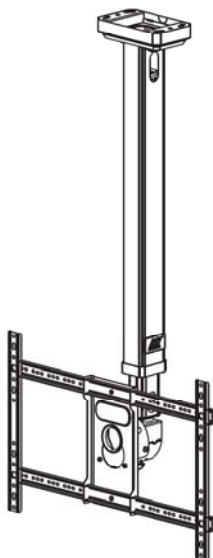


INSTALLATION INSTRUCTION



T3260

TV Ceiling Mount

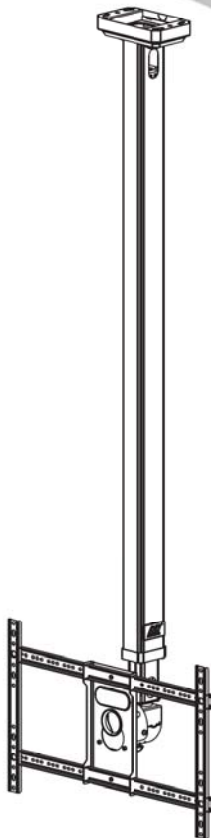
For TV :32"-60"

Max capacity:100 lbs/45.5kg

Height adjustment rang from:

35.4"to59"(900-1500mm)

VESA:200x100-600x400mm



T7030

TV Ceiling Mount

For TV :32"-70"

Max capacity:125 lbs/56.8kg

Height adjustment rang from:

65"to118"(1650-3000mm)

VESA:200x100-600x400mm

Kunshan Hongjie Electronics Co., Ltd

Add:58, South of Xinxing Road, Economic Development Zone.

Kunshan City, Jiangsu Province, China

TEL: 86-512-57971777

<http://www.nbavmount.com>

FAX: 86-512-57970776

E-mail: info@nbavmount.com

We reserve the right to modify or alter instructions. No modification or alteration without formal notice.

Table of Contents









Table of Contents and Warning	2/8
Parts list	3/8
Assembly and Installation	
1.Ceiling plate mounting hole identification	4/8
2.Main post to ceiling plate installation & extension	4/8
3.Main post assembly to ceiling installation	5/8
4.TV installation	6/8
5.Cables & wires installing	7/8
6.Horizontal swivel & tilting adjustment	7/8
T3260 Dimensions	8/8
T7030 Dimensions	8/8

WARNING!

Severe personal injury and property damage can result from improper installation or assembly. Read the following warning carefully before beginning.

- If you do not understand the instructions or have any concerns or questions, please contact a qualified local installer.
 - Do not install or assemble if the product or hardware is damaged or missing, if you require replacement parts, please contact your local distributor for assistance.
 - Do not use this product for anything other than the original design.
 - This product contains moving parts, please use with caution.
 - The manufacturer disclaims any liability for the modifications, improper installation, or installation over the specified weight range. The manufacturer will not be liable for any damages arising out of the use of, or inability to use, the product.
- All images are for reference, to prevail in product.

Manual

							
Tightening Direction	Loosening Direction	Phillips Screwdriver	Metre Rule	Adjustment	By Hand	Hex Wrench	+ Tightening - Loosening

Parts list

1X



T3260

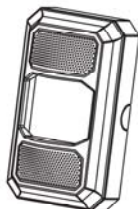
1X



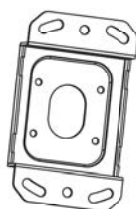
T7030

or

1X



1X



1X



1X



1X



A -  (M5x25)-4pcs

B -  (M6x25)-4pcs

C -  (M8x25)-4pcs

D -  (M6x20)-4pcs


E -  ($\Phi 13 \times \Phi 6.2 \times 1.5$)-4pcs


F -  (M6x8)-2pcs

G -  (M6x8)-2pcs

H -  (M6x20)-4pcs

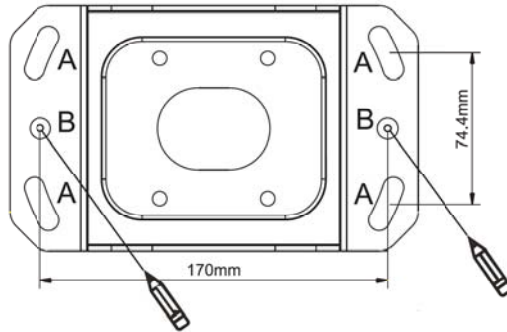
I -  M6-4pcs

J -  ($\Phi 15 \times \Phi 8.2 \times 10$)-4pcs

K -  10mm-1pcs

L -  M4-1pcs

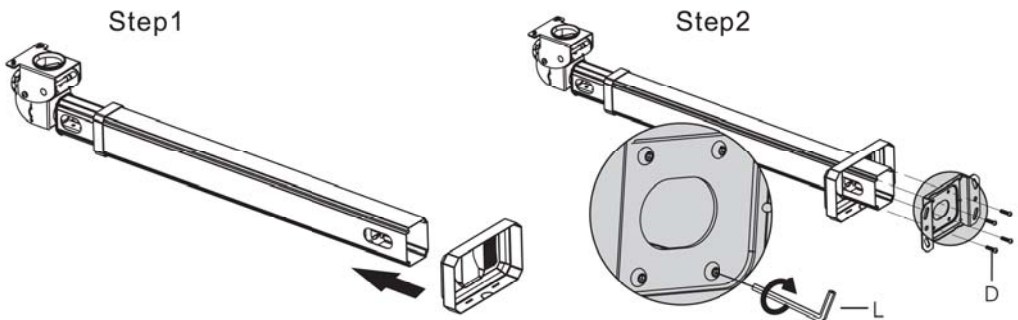
1. Ceiling plate mounting hole identification



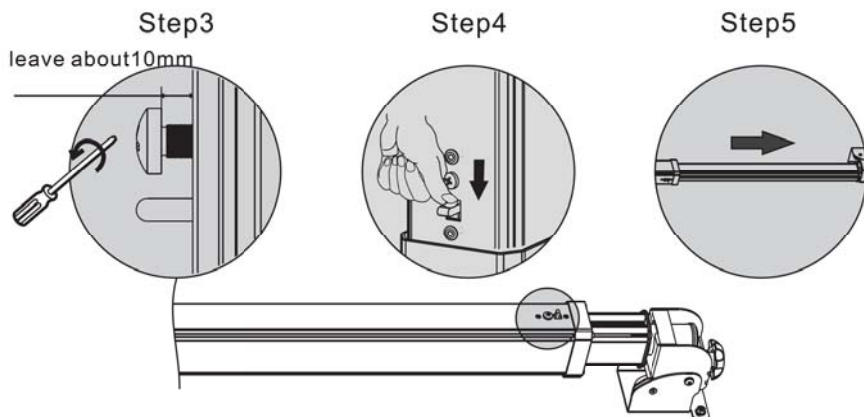
A For concrete mounting

B For wood ceiling stud mounting

2. Main post extension

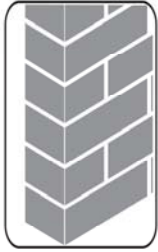
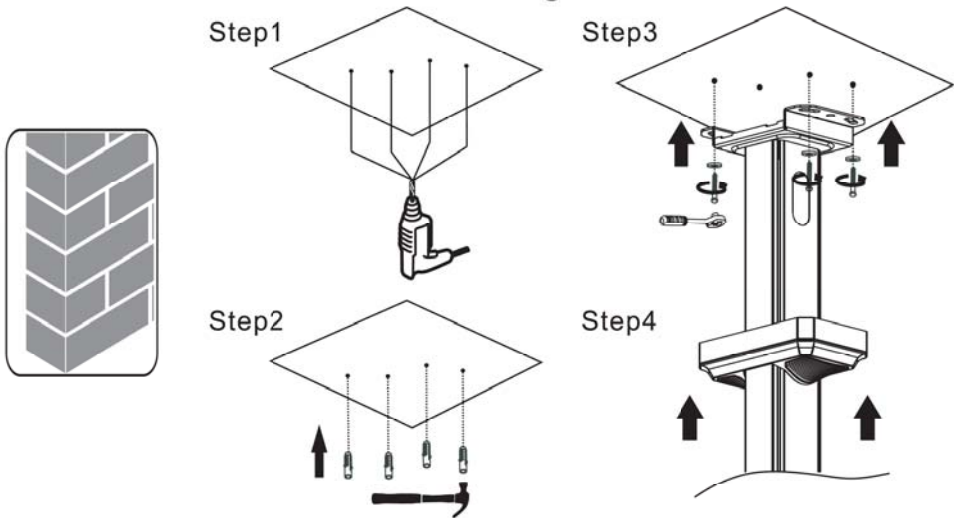


Telescopic length adjustment.

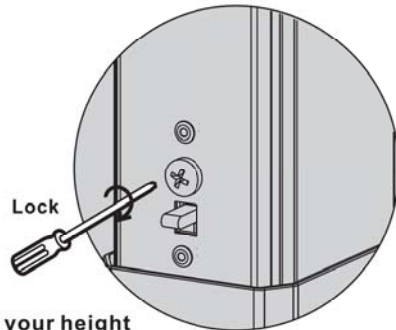
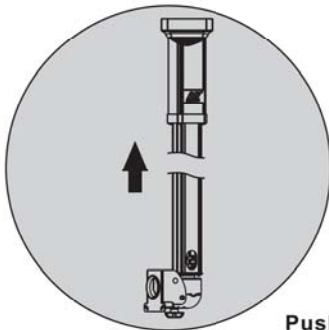
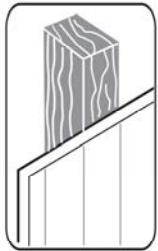
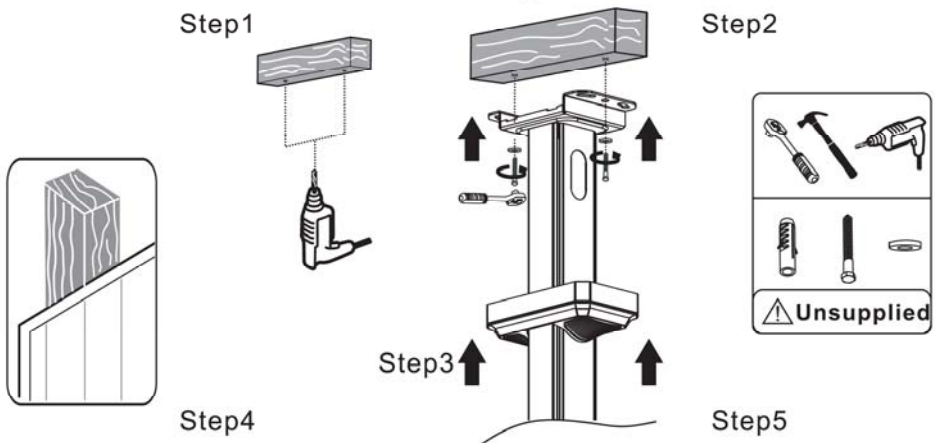


3.Main post assembly to ceiling installation

Concrete Ceiling



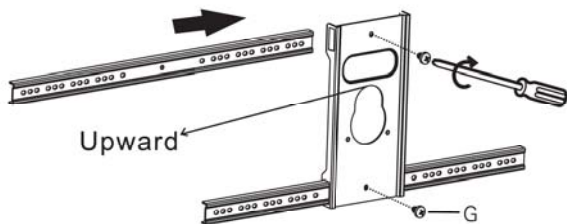
Wood ceiling



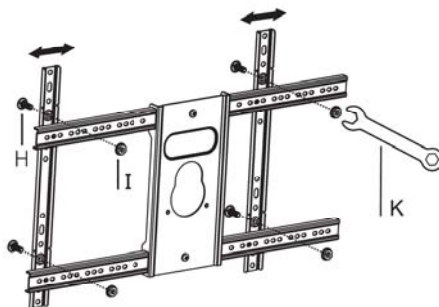
Push and set your height

4.TV installation

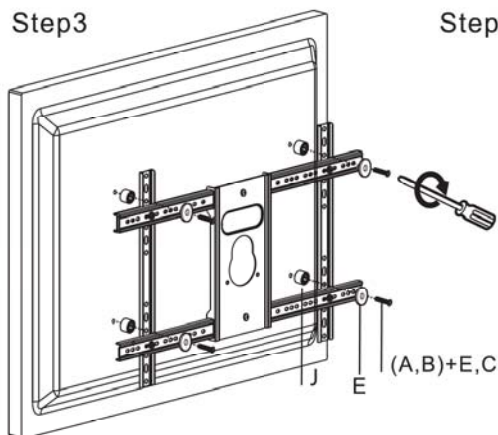
Step1



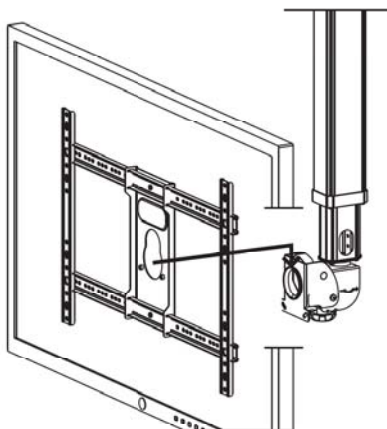
Step2



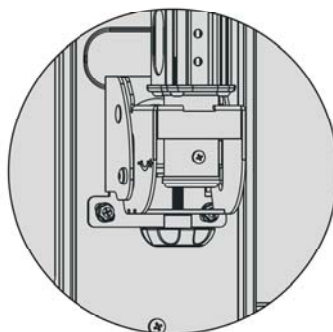
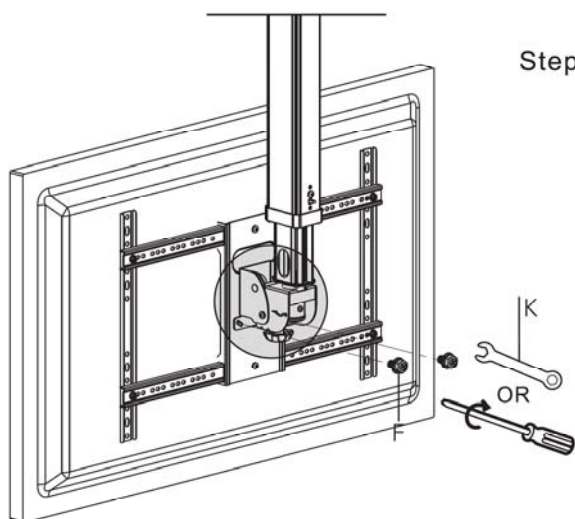
Step3



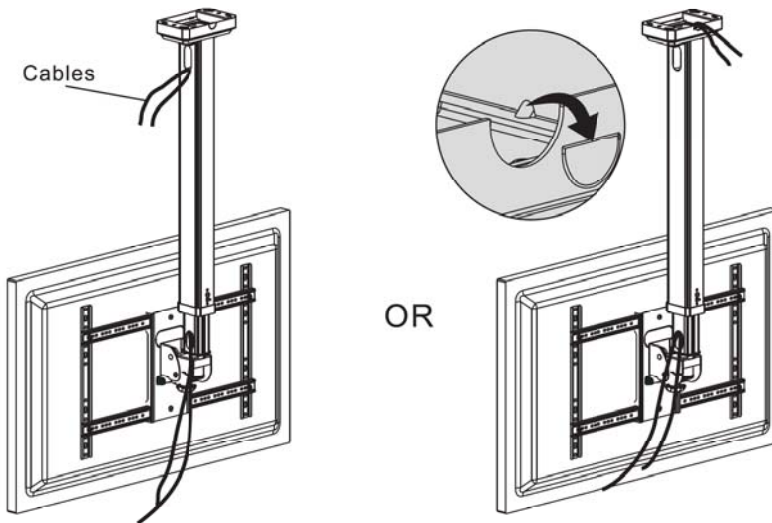
Step4



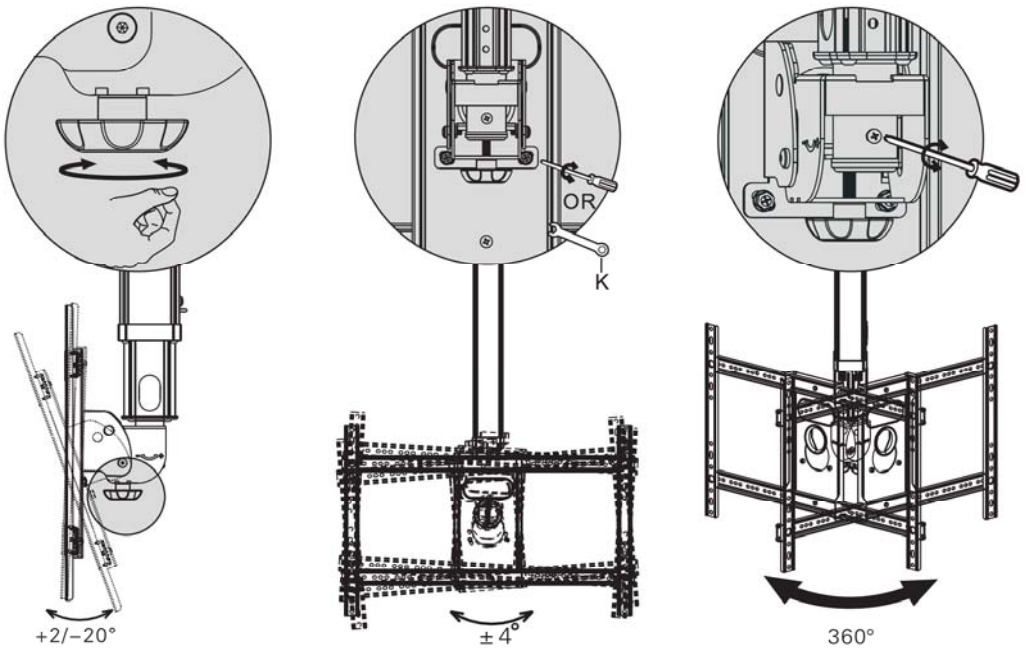
Step5



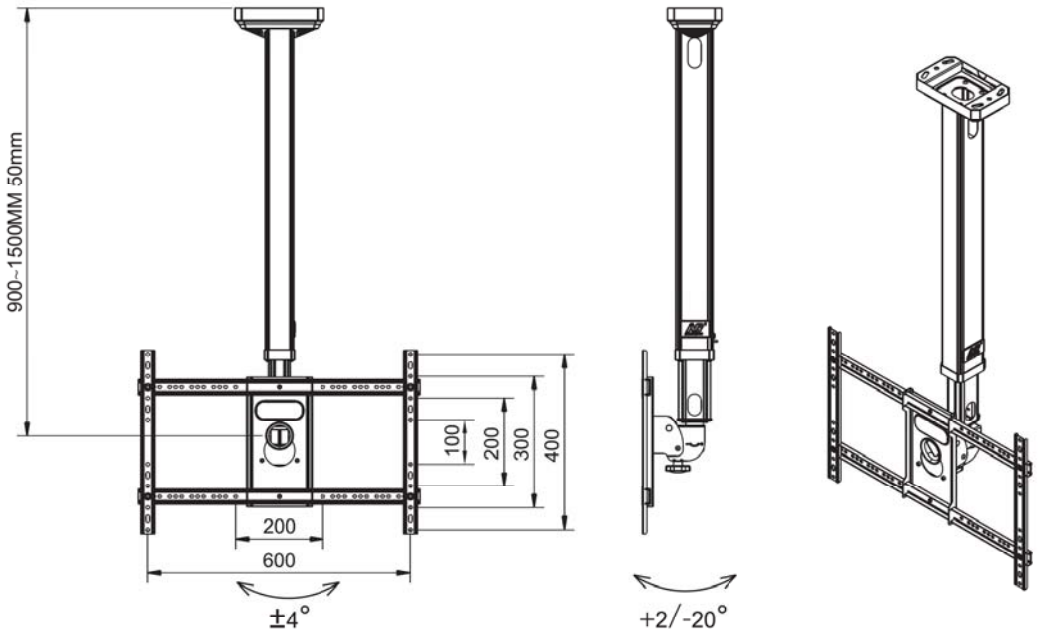
5. Cables & wires installing



6. Horizontal swivel & tilting adjustment



T3260 Dimensions



T7030 Dimensions

