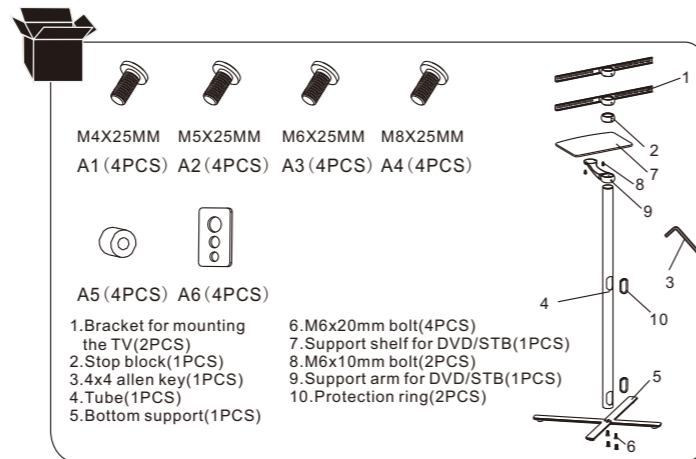
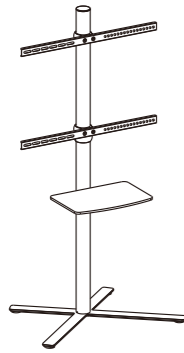


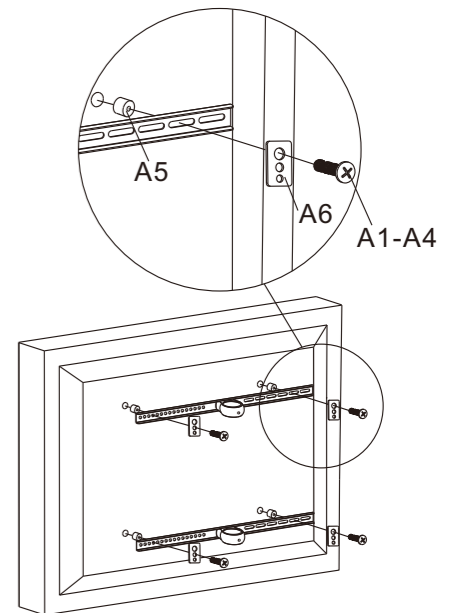
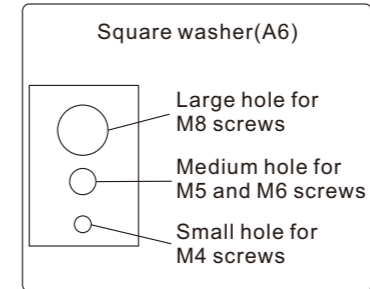
Item No.:PSF411-1300

Installation guide



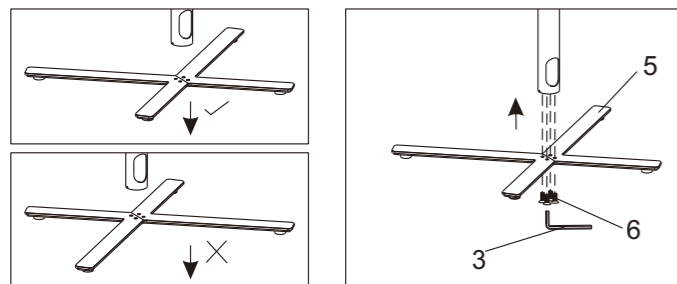
STEP4

Attaching bracket for mounting the TV to screen



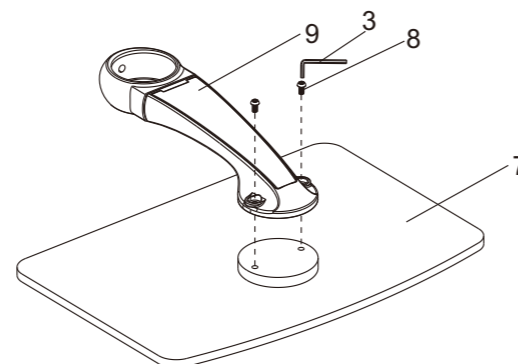
STEP1

Fixed bottom support



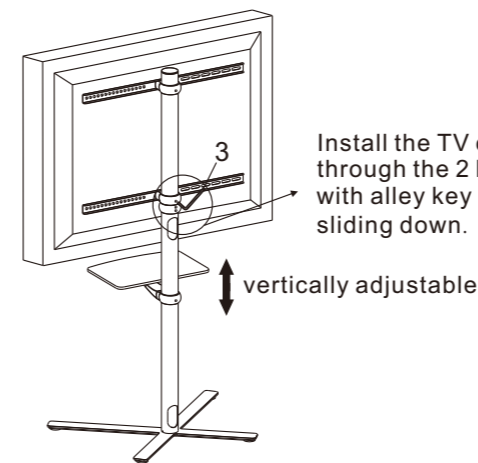
STEP2

Install support shelf for DVD/STB



STEP5

Install TV plate



Install the TV onto the tube through the 2 brackets, fix it with allen key (3) to avoid sliding down.

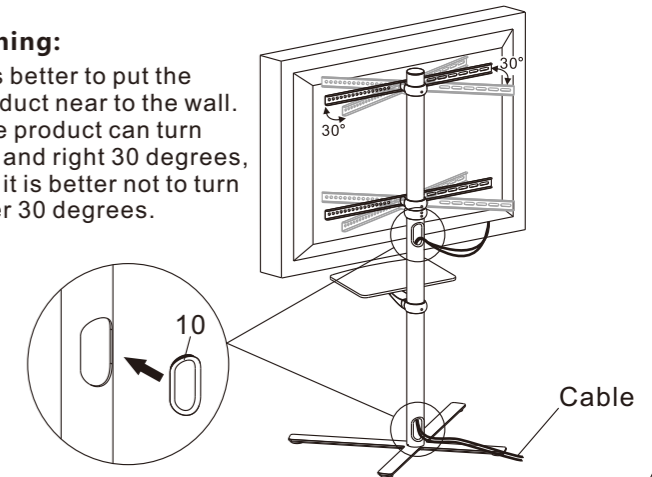
vertically adjustable

STEP6

Using cord management

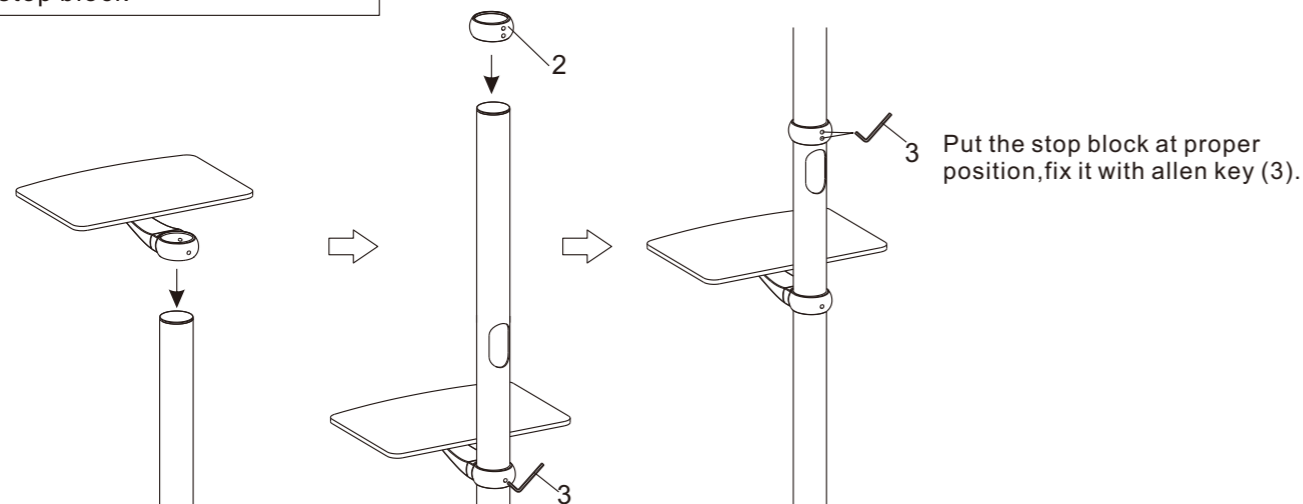
Warning:

1. It is better to put the product near to the wall.
2. The product can turn left and right 30 degrees, but it is better not to turn over 30 degrees.



STEP3

Fixed stop block



Put the stop block at proper position, fix it with allen key (3).

CAUTION

- This product contains small items that could be a choking hazard if swallowed. Keep these items away from young children.
- Make Sure these instructions are read and completely understood before attempting installation. If you are unsure of any part of this installation, please contact a professional installer for assistance.
 - Proper tools must be used. A minimum of two people are required for this installation. Failure to use safety gear can result in property damage, serious injury or death.
 - Please check joint parts every two months, making sure the screws are loosened or not.

Before installing, make sure the mount will support the combined load of the equipment and hardware. Never exceed the maximum load capacity 30 KG, or else it may result in product failure or personal injury.

Note: this product is intended for indoor use only. Use of this product outdoors could lead to product failure or personal injury.